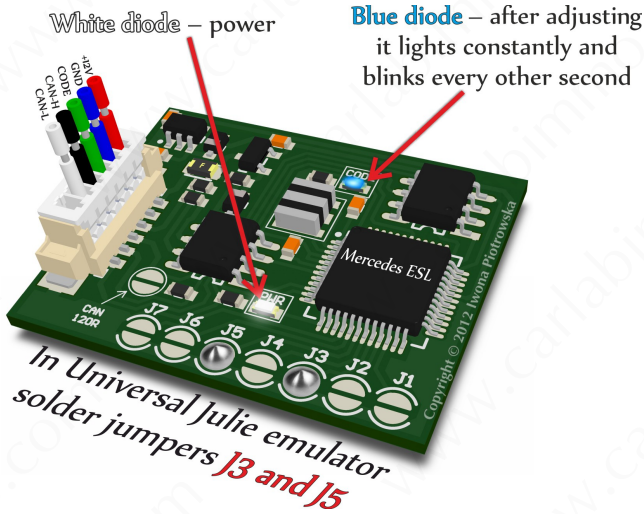




Mercedes ESL – steering wheel column lock emulator



Warning!!!

Due to possible construction changes of cars, check signals with multimeter in the ECU plug before connecting the device.

It does not replace the new steering locks with NEC!



Type 1 ESL
W202, W208, W210



Type 2 ESL
W203, W209, W211,
Vito 639

It works with ignition switches numbered



208 545 00 08	208 545 01 08
208 545 02 08	208 545 03 08
210 545 00 08	210 545 01 08
210 545 02 08	210 545 03 08

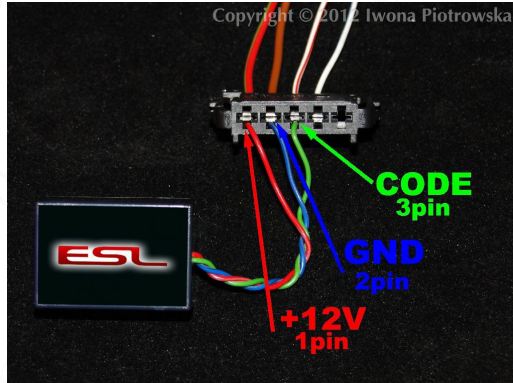


639 545 05 08

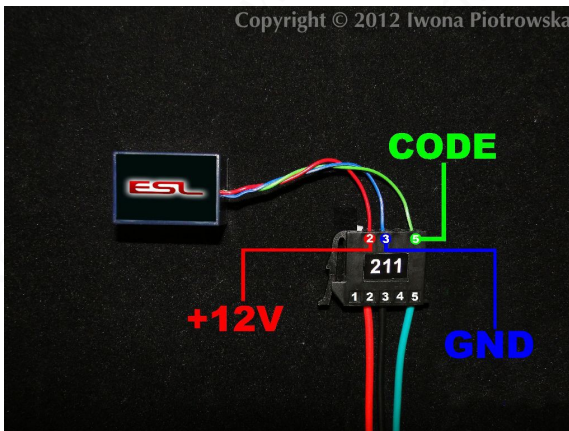
It self-learns code of the electronic ignition—plug and play

Connecting to Mercedes-Benz W202, W208, W210

GND 2pin
 CODE 3pin
 +12V 1pin

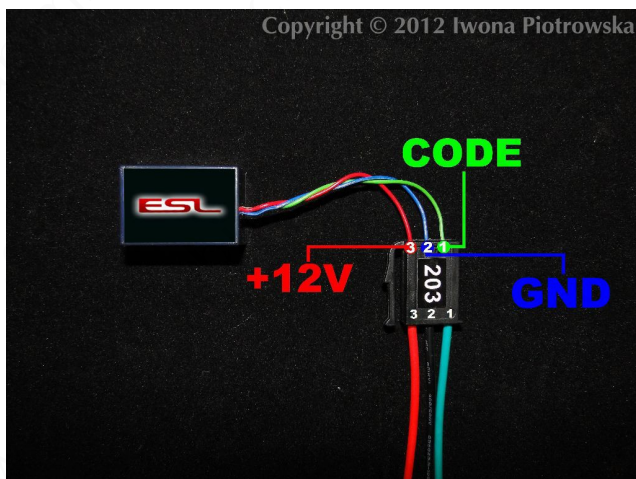


Connecting to Mercedes-Benz W209, W211



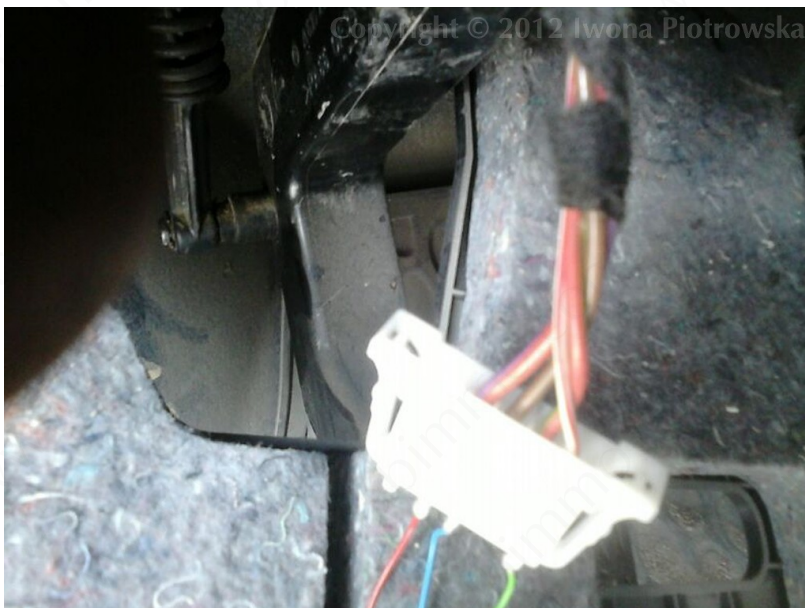
GND 3pin
 CODE 5pin
 +12V 2pin

Connecting to Mercedes-Benz W203



GND	2pin
CODE	1pin
+12V	3pin

Connecting to Mercedes-Benz Vito 639



GND	3pin
CODE	5pin
+12V	2pin

Warning!!!

Due to possible construction changes of cars, check signals with multimeter in the ECU plug before connecting the device.

We state that we are the only authentic authors of this manual. We possess copyright of this publication. All rights reserved. Unauthorized copying, hiring, lending, public performance will be punished!!! Any trials of unauthorized copying, hiring, quoting prohibited!!! Both service and advertisement constitute copyright and they are the subject to the protection in accordance with the Act from 4th Feb. 1994 on Copyright and Related Laws (Statute Book no. 24 position 93) and protection on the basis of the Act from 8th June 1993 on combating an unfair competition (Statute Book no. 47 position 211).

www.carlabimmo.com

Last updated 05.09.2014